

Product Bulletin

PBL7080 | 2/5/2013

8-Bar | 4th Ground Bar

Problem:

- Does your overhead crane need a separate conductor for ground ?
- Are your existing brackets not long enough to add a 4th conductor bar?
- Don't want to tear down and replace brackets . . .

Solution:

- Replace the 4 individual hangers with Conductix-Wampfler's 2-bolt 4-conductor gang bracket
- Use Conductix-Wampfler's extension piece with your existing bracket to add one more hanger

Benefits:

- Meets code and regulations
- Re-uses existing brackets
- Saves time and labor when upgrading your overhead crane system
- Enhances the safety of the bar system, with a dedicated grounding bar
- Identifies the grounding bar (green cover)
- XA-28836 for steel snap-in-hangers (**fig 1**)
- XA-30366 for cross bolt hangers (**similar to fig 1, but not shown**)
- XA-31814N for extending web or flange brackets (**fig 2**)
- XA-542243 5" flat, for extending universal brackets (**fig 3**)

Conductix-Wampfler is world-wide leader in engineered electrification systems for the material handling, transit and numerous other industries.

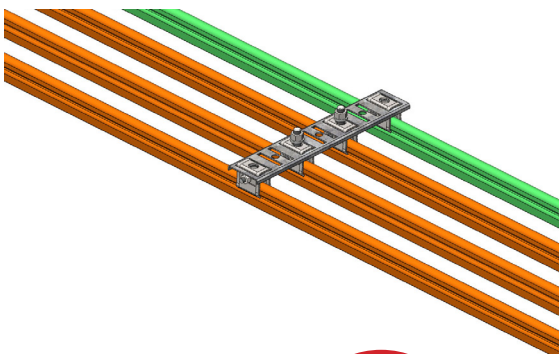


fig 1

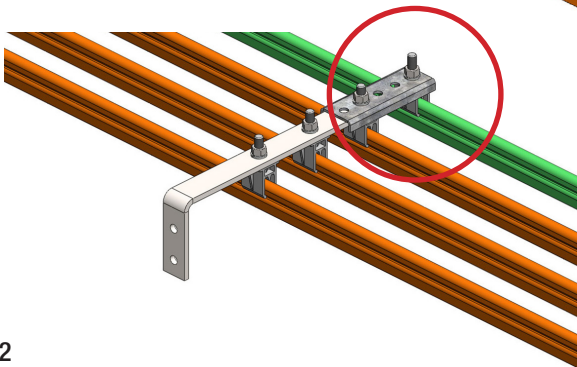


fig 2

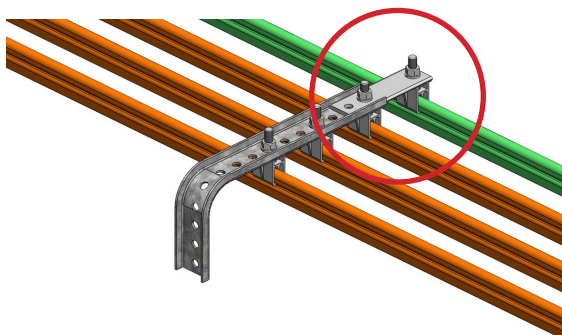


fig 3

